

NEW PRODUCTS

HOKUYO

LASER RANGE-FINDER TYPE OBSTACLE DETECTION SENSOR

UBG-05LN

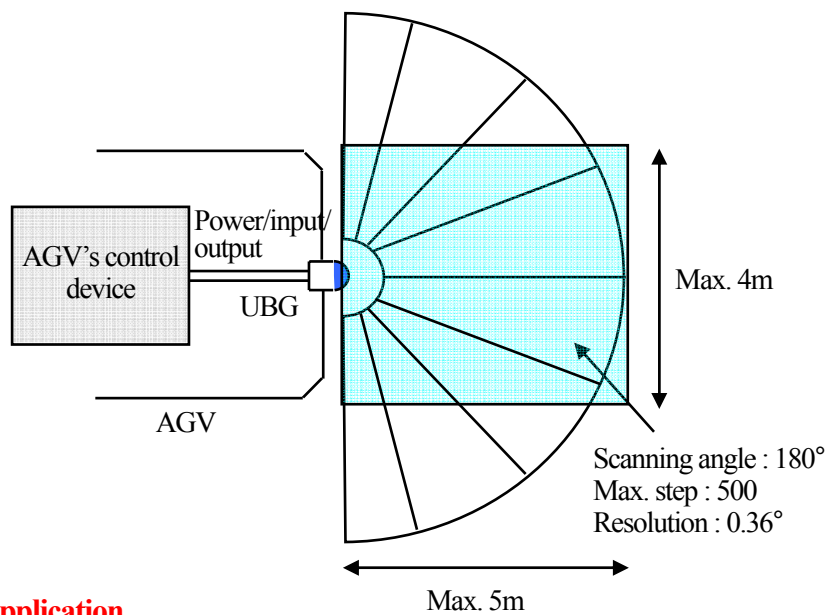
WIDE SCANNING ANGLE ! SUPER-SMALL SIZE !



General/Feature

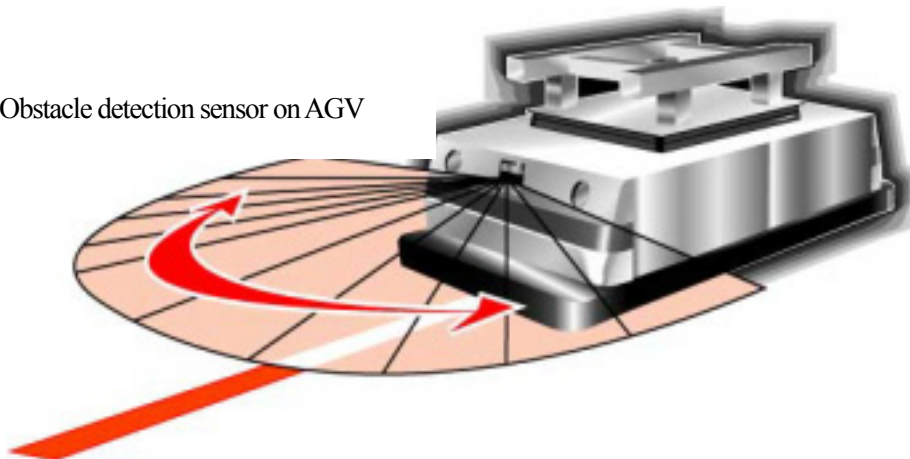
- * Long range detection(5m)
- * High accuracy with semi-conductor laser(+/- 20mm at 1m)
- * 31 kinds of detecting area can be made

Structure(Light scanning image)



Application

Obstacle detection sensor on AGV



Specifications

Model No.	UBG-05LN
Power source	24VDC±10%(Startup voltage range 18 to 30VDC)
Current consumption	150mA or less(Rush current 300mA)
Light source	Semiconductor laser diode(wavelength 785nm), Laser safety class 1(FDA)
Detection distance	0.01 to 5m(White sheet with 125×125mm)
Accuracy	±20mm at 1m or less, ±2% of measurement, Repeatability ±10mm
Hysteresis	Values specified while setting area patterns(Default 6.25%) 6.25% of detecting distance(not less than 60mm) 3.17% of detecting distance(not less than 30mm)
Output	Output 1 to 3, trouble output, Photo-coupler/NPN open-collector output(30VDC 50mA Max)
Scanning angle	180°(Resolution 0.36°)
Scanning time	100msec/scan
Response time	Less than 210msec(Scanning time 100msec/1 rev.)
Indicators	Output lamp 1 to 3(orange), Power lamp(green)
Connection method	Lead wire 1m long
Ambient light resistance	Halogen/mercury lamp : 10000lux or less, Fluorescent lamp : 6000lux(Max.)
Ambient temperature/humidity	-10 to +50°C, 85%RH or less(Not condensing)
Vibration resistance	10 to 55Hz, double amplitude 1.5mm Each 2 hour in X, Y and Z directions
Impact resistance	196m/s ² (10G) Each 10 time in X, Y and Z directions
Protective structure	IP64
Weight	Approx. 185(260 with cable)
Life	5 years during normal condition(motor life)
Material	Front case : polycarbonate, rear case : ABS

External dimension

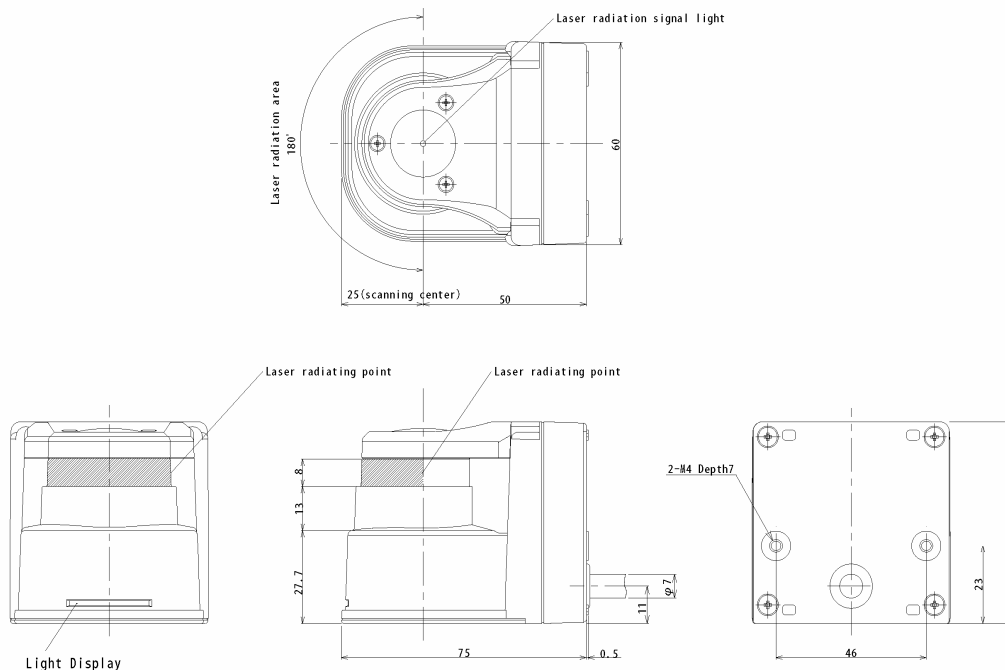


PHOTO SENSOR, LASER SENSOR, MICROWAVE SENSOR, COUNTER, AUTOMATIC DOOR



HOKUYO AUTOMATIC CO.,LTD.

1-10-9 Niitaka, Yodogawa-ku, Osaka
532-0033, Japan

Tel(06)6394-2102 Fax(06)6394-2339

<http://www.hokuyo-aut.jp>

E-mail: info@hokuyo-aut.jp