

# RX-28

## Parts Photo



[RX-28]

## H/W Specification

- Weight : 72g
- Dimension : 35.6mm x 50.6mm x 35.5mm
- Resolution : 0.29°
- Gear Reduction Ratio : 193 : 1
- Stall Torque : 3.7N.m (at 18.5V, 1.9A)
- No load speed : 85rpm (at 18.5V)
- Running Degree
  - 0° ~ 300°
  - Endless Turn
- Running Temperature : -5°C ~ +80°C
- Voltage : 12V~18.5V (Recommended Voltage 14.8V)
- Command Signal : Digital Packet
- Protocol Type : RS485 Asynchronous Serial Communication (8bit,1stop, No Parity)
- Link (Physical) : RS485 Multi Drop Bus
- ID : 254 ID (0~253)
- Communication Speed : 7343bps ~ 1 Mbps
- Feedback : Position, Temperature, Load, Input Voltage, etc.
- Material : Full Metal Gear, Engineering Plastic Body
- Standby current : 50 mA

## Control Table

Control Table consists of data regarding the current status and operation, which exists inside of Dynamixel. The user can control Dynamixel by changing data of Control Table via Instruction Packet.

### EEPROM and RAM

Data in RAM area is reset to the initial value whenever the power is turned on while data in EEPROM area is kept once the value is set even if the power is turned off.

### Address

It represents the location of data. To read from or write data to Control Table, the user should assign the correct address in the Instruction Packet.

### Access

Dynamixel has two kinds of data: Read-only data, which is mainly used for sensing, and Read-and-Write data, which is used for driving.

### Initial Value

In case of data in the EEPROM Area, the initial values on the right side of the below Control Table are the factory default settings. In case of data in the RAM Area, the initial values on the right side of the above Control Tables are the ones when the power is turned on.

### Highest/Lowest Byte

In the Control table, some data share the same name, but they are attached with (L) or (H) at the end of each name to distinguish the address. This data requires 16bit, but it is divided into 8bit each for the addresses (low) and (high). These two addresses should be written with one Instruction Packet at the same time.

| Area | Address<br>(Hexadecimal) | Name                | Description                            | Access | Initial Value<br>(Hexadecimal) |
|------|--------------------------|---------------------|--|--------|--------------------------------|
|      | 0 (0X00)                 | Model Number(L)     | Lowest byte of model number            | R      | 28 (0X1C)                      |
|      | 1 (0X01)                 | Model Number(H)     | Highest byte of model number           | R      | 0 (0X00)                       |
|      | 2 (0X02)                 | Version of Firmware | Information on the version of firmware | R      | -                              |

|           |           |                               |  |                      |            |          |
|-----------|-----------|-------------------------------|--|----------------------|------------|----------|
| EEPROM    | 3 (0X03)  | ID                            | ID of Dynamixel                              | RW                   | 1 (0X01)   |          |
|           | 4 (0X04)  | Baud Rate                     | Baud Rate of Dynamixel                       | RW                   | 34 (0X22)  |          |
|           | 5 (0X05)  | Return Delay Time             | Return Delay Time                            | RW                   | 250 (0XFA) |          |
|           | 6 (0X06)  | CW Angle Limit(L)             | Lowest byte of clockwise Angle Limit         | RW                   | 0 (0X00)   |          |
|           | 7 (0X07)  | CW Angle Limit(H)             | Highest byte of clockwise Angle Limit        | RW                   | 0 (0X00)   |          |
|           | 8 (0X08)  | CCW Angle Limit(L)            | Lowest byte of counterclockwise Angle Limit  | RW                   | 255 (0XFF) |          |
|           | 9 (0X09)  | CCW Angle Limit(H)            | Highest byte of counterclockwise Angle Limit | RW                   | 3 (0X03)   |          |
|           | 11 (0X0B) | the Highest Limit Temperature | Internal Limit Temperature                   | RW                   | 80 (0X50)  |          |
|           | 12 (0X0C) | the Lowest Limit Voltage      | Lowest Limit Voltage                         | RW                   | 60 (0X3C)  |          |
|           | 13 (0X0D) | the Highest Limit Voltage     | Highest Limit Voltage                        | RW                   | 190 (0XBE) |          |
|           | 14 (0X0E) | Max Torque(L)                 | Lowest byte of Max. Torque                   | RW                   | 255 (0XFF) |          |
|           | 15 (0X0F) | Max Torque(H)                 | Highest byte of Max. Torque                  | RW                   | 3 (0X03)   |          |
|           | 16 (0X10) | Status Return Level           | Status Return Level                          | RW                   | 2 (0X02)   |          |
|           | 17 (0X11) | Alarm LED                     | LED for Alarm                                | RW                   | 36 (0X24)  |          |
|           | 18 (0X12) | Alarm Shutdown                | Shutdown for Alarm                           | RW                   | 36 (0X24)  |          |
|           | RAM       | 24 (0X18)                     | Torque Enable                                | Torque On/Off        | RW         | 0 (0X00) |
|           |           | 25 (0X19)                     | LED  | LED On/Off           | RW         | 0 (0X00) |
|           |           | 26 (0X1A)                     | CW Compliance Margin                         | CW Compliance margin | RW         | 1 (0X01) |
| 27 (0X1B) |           | CCW Compliance Margin         | CCW Compliance margin                        | RW                   | 1 (0X01)   |          |
| 28 (0X1C) |           | CW Compliance Slope           | CW Compliance slope                          | RW                   | 32 (0X20)  |          |
| 29 (0X1D) |           | CCW Compliance Slope          | CCW Compliance slope                         | RW                   | 32 (0X20)  |          |
| 30 (0X1E) |           | Goal Position(L)              | Lowest byte of Goal Position                 | RW                   | -          |          |
| 31 (0X1F) |           | Goal Position(H)              | Highest byte of Goal Position                | RW                   | -          |          |
| 32 (0X20) |           | Moving Speed(L)               | Lowest byte of Moving Speed                  | RW                   | -          |          |
| 33 (0X21) |           | Moving Speed(H)               | Highest byte of Moving Speed                 | RW                   | -          |          |
| 34 (0X22) |           | Torque Limit(L)               | Lowest byte of Torque Limit                  | RW                   | ADD14      |          |
| 35 (0X23) |           | Torque Limit(H)               | Highest byte of Torque Limit                 | RW                   | ADD15      |          |
| 36 (0X24) |           | Present Position(L)           | Lowest byte of Current Position              | R                    | -          |          |
| 37 (0X25) |           | Present Position(H)           | Highest byte of Current Position             | R                    | -          |          |
| 38 (0X26) |           | Present Speed(L)              | Lowest byte of Current Speed                 | R                    | -          |          |
| 39 (0X27) |           | Present Speed(H)              | Highest byte of Current Speed                | R                    | -          |          |
| 40 (0X28) |           | Present Load(L)               | Lowest byte of Current Load                  | R                    | -          |          |
| 41 (0X29) |           | Present Load(H)               | Highest byte of Current Load                 | R                    | -          |          |
| 42 (0X2A) |           | Present Voltage               | Current Voltage                              | R                    | -          |          |
| 43 (0X2B) |           | Present Temperature           | Current Temperature                          | R                    | -          |          |
| 44 (0X2C) |           | Registered                    | Means if Instruction is registered           | R                    | 0 (0X00)   |          |
| 46 (0X2E) |           | Moving                        | Means if there is any movement               | R                    | 0 (0X00)   |          |
| 47 (0X2F) | Lock      | Locking EEPROM                | RW   | 0 (0X00)             |            |          |
| 48 (0X30) | Punch(L)  | Lowest byte of Punch          | RW   | 32 (0X20)            |            |          |
| 49 (0X31) | Punch(H)  | Highest byte of Punch         | RW   | 0 (0X00)             |            |          |

## Address Function Help

### EEPROM Area

#### Model Number

It represents the Model Number.

#### Firmware Version

It represents the firmware version.

#### ID

It is a unique number to identify Dynamixel.

The range from 0 to 253 (0xFD) can be used, and, especially, 254(0xFE) is used as the Broadcast ID.

If the Broadcast ID is used to transmit Instruction Packet, we can command to all Dynamixels.

Please be careful not to duplicate the ID of connected Dynamixel.

### Baud Rate

It represents the communication speed. 0 to 254 (0xFE) can be used for it.

This speed is calculated by using the below formula.

$$\text{Speed(BPS)} = 2000000 / (\text{Data} + 1)$$

| Data | Set BPS   | Target BPS | Tolerance |
|------|-----------|------------|-----------|
| 1    | 1000000.0 | 1000000.0  | 0.000 %   |
| 3    | 500000.0  | 500000.0   | 0.000 %   |
| 4    | 400000.0  | 400000.0   | 0.000 %   |
| 7    | 250000.0  | 250000.0   | 0.000 %   |
| 9    | 200000.0  | 200000.0   | 0.000 %   |
| 16   | 117647.1  | 115200.0   | -2.124 %  |
| 34   | 57142.9   | 57600.0    | 0.794 %   |
| 103  | 19230.8   | 19200.0    | -0.160 %  |
| 207  | 9615.4    | 9600.0     | -0.160 %  |

Note : Maximum Baud Rate error of 3% is within the tolerance of UART communication.

### Return Delay Time

It is the delay time per data value that takes from the transmission of Instruction Packet until the return of Status Packet.

0 to 254 (0xFE) can be used, and the delay time per data value is 2 usec.

That is to say, if the data value is 10, 20 usec is delayed. The initial value is 250 (0xFA) (i.e., 0.5 msec).

### CW/CCW Angle Limit

The angle limit allows the motion to be restrained.

The range and the unit of the value is the same as Goal Position(Address 30, 31).

- CW Angle Limit: the minimum value of Goal Position(Address 30, 31)
- CCW Angle Limit: the maximum value of Goal Position(Address 30, 31)

The following two modes can be set pursuant to the value of CW and CCW.

| Operation Type | CW / CCW                        |
|----------------|---------------------------------|
| Wheel Mode     | the value of the both are 0     |
| Joint Mode     | the value of the both are not 0 |

The wheel mode can be used to wheel-type operation robots since motors of the robots spin infinitely.

The joint mode can be used to multi-joints robot since the robots can be controlled with specific angles.

### The Highest Limit Temperature

It is the highest limit of operating temperature.

The range for use is 10 to 99 (0x10~0x63). The unit is Celsius.

For example, if the value is 80, it is 80°C.

If the internal temperature of Dynamixel exceeds this range, Over Heating Error Bit (Bit2) of Status Packet is returned as '1' and Alarm is triggered as set in the addresses 17 and 18.

Caution : Do not set the temperature lower/higher than the default value.

When the temperature alarm shutdown occurs, wait 20 minutes to cool the temperature before re-use.

Using the product when the temperature is high may and can cause damage.

### The Lowest (Highest) Limit Voltage

It is the operation range of voltage.

50 to 250 (0x32 ~ 0x96) can be used. The unit is 0.1V.

For example, if the value is 80, it is 8V.

If Present Voltage (Address42) is out of the range, Voltage Range Error Bit (Bit0) of Status Packet is returned as '1' and Alarm is triggered as set in the addresses 17 and 18.

### Max Torque

It is the torque value of maximum output. 0 to 1023 (0x3FF) can be used, and the unit is about 0.1%.

For example, Data 1023 (0x3FF) means that Dynamixel will use 100% of the maximum torque it can produce while Data 512 (0x200) means that Dynamixel will use 50% of the maximum torque. When the power is turned on, Torque Limit (Addresses 34 and 35) uses the value as the initial value.

### Status Return Level

It decides how to return Status Packet. There are three ways like the below table.

| Value | Return of Status Packet                              |
|-------|--|
| 0     | No return against all commands (Except PING Command) |
| 1     | Return only for the READ command                     |
| 2     | Return for all commands                              |

When Instruction Packet is Broadcast ID, Status Packet is not returned regardless of Status Return Level.

### Alarm LED

#### Alarm Shutdown

Dynamixel can protect itself by detecting errors occur during the operation.

The errors can be set are as the table below.

| Bit   | Name                | Contents   |
|-------|---------------------|--|
| Bit 7 | 0                   | -  |
| Bit 6 | Instruction Error   | When undefined Instruction is transmitted or the Action command is delivered without the reg_write command |
| Bit 5 | Overload Error      | When the current load cannot be controlled with the set maximum torque                                     |
| Bit 4 | CheckSum Error      | When the Checksum of the transmitted Instruction Packet is invalid   |
| Bit 3 | Range Error         | When the command is given beyond the range of usage  |
| Bit 2 | OverHeating Error   | When the internal temperature is out of the range of operating temperature set in the Control Table        |
| Bit 1 | Angle Limit Error   | When Goal Position is written with the value that is not between CW Angle Limit and CCW Angle Limit        |
| Bit 0 | Input Voltage Error | When the applied voltage is out of the range of operating voltage set in the Control Table                 |

It is possible to make duplicate set since the function of each bit is run by the logic of 'OR'. That is, if 0X05 (binary 00000101) is set, both Input Voltage Error and Overheating Error can be detected.

If errors occur, in case of Alarm LED, the LED blinks; in case of Alarm Shutdown, the motor output becomes 0 % by making the value of Torque Limit(Address 34, 35) as 0.

### RAM Area

#### Torque Enable

| Value | Meaning  |
|-------|--|
| 0     | Keeps Torque from generating by interrupting the power of motor. |
| 1     | Generates Torque by impressing the power to the motor.           |

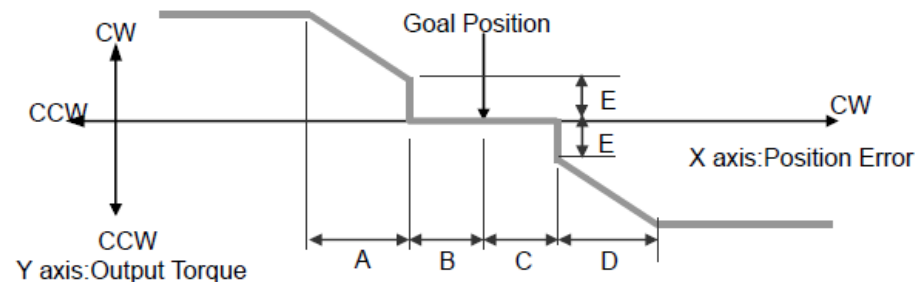
#### LED

| Value | Meaning           |
|-------|-------------------|
| 0     | Turn OFF the LED. |
| 1     | Turn ON the LED.  |

#### Compliance

Compliance is to set the control flexibility of the motor.

The following diagram shows the relationship between output torque and position of the motor.



- A : CCW Compliance Slope(Address0x1D)
- B : CCW Compliance Margin(Address0x1B)
- C : CW Compliance Margin(Address0x1A)
- D : CW Compliance Slope (Address0x1C)
- E : Punch(Address0x30,31)

## Compliance Margin

It exists in each direction of CW/CCW and means the error between goal position and present position.

The range of the value is 0~255, and the unit is the same as Goal Position.(Address 30,31)

The greater the value, the more difference occurs.

## Compliance Slope

It exists in each direction of CW/CCW and sets the level of Torque near the goal position.

Compliance Slope is set in 7 steps, the higher the value, the more flexibility is obtained.

Data representative value is actually used value. That is, even if the value is set to 25, 16 is used internally as the representative value.

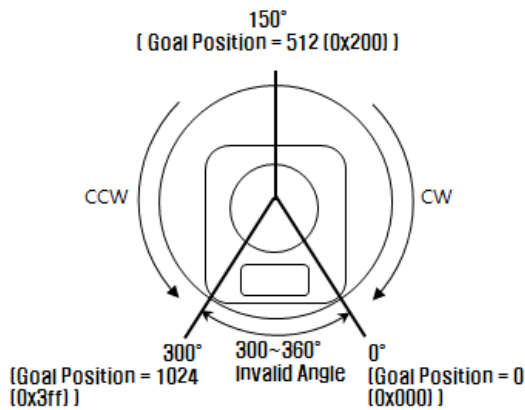
| Step | Data Value          | Data Representative Value |
|------|---------------------|---------------------------|
| 1    | 0 (0x00) ~ 3(0x03)  | 2 (0x02)                  |
| 2    | 4(0x04) ~ 7(0x07)   | 4 (0x04)                  |
| 3    | 8(0x08)~15(0x0F)    | 8 (0x08)                  |
| 4    | 16(0x10)~31(0x1F)   | 16 (0x10)                 |
| 5    | 32(0x20)~63(0x3F)   | 32 (0x20)                 |
| 6    | 64(0x40)~127(0x7F)  | 64 (0x40)                 |
| 7    | 128(0x80)~254(0xFE) | 128 (0x80)                |

## Goal Position

It is a position value of destination.

0 to 1023 (0x3FF) is available. The unit is 0.29 degree.

If Goal Position is out of the range, Angle Limit Error Bit (Bit1) of Status Packet is returned as '1' and Alarm is triggered as set in Alarm LED/Shutdown.



<The picture above is based on the front of relevant model>

If it is set to Wheel Mode, this value is not used.

## Moving Speed

It is a moving speed to Goal Position.

The range and the unit of the value may vary depending on the operation mode.

- Join Mode  
0~1023 (0X3FF) can be used, and the unit is about 0.111rpm.  
If it is set to 0, it means the maximum rpm of the motor is used without controlling the speed.  
If it is 1023, it is about 114rpm.  
For example, if it is set to 300, it is about 33.3 rpm.

Notes: Please check the maximum rpm of relevant model in Joint Mode. Even if the motor is set to more than maximum rpm, it cannot generate the torque more than the maximum rpm.

- Wheel Mode  
0~2047( 0X7FF) can be used, the unit is about 0.1%.  
If a value in the range of 0~1023 is used, it is stopped by setting to 0 while rotating to CCW direction.  
If a value in the range of 1024~2047 is used, it is stopped by setting to 1024 while rotating to CW direction.

That is, the 10th bit becomes the direction bit to control the direction.

In Wheel Mode, only the Torque control is possible, not speed.

For example, if it is set to 512, it means the torque is controlled by 50% of the maximum torque.

### Torque Limit

It is the value of the maximum torque limit.

0 to 1023 (0x3FF) is available, and the unit is about 0.1%.

For example, if the value is 512, it is about 50%; that means only 50% of the maximum torque will be used.

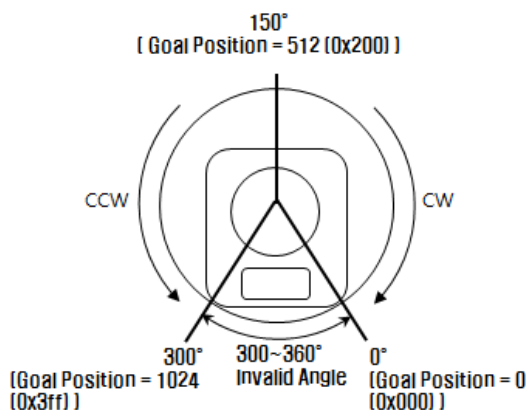
If the power is turned on, the value of Max Torque (Address 14, 15) is used as the initial value.

Notes: If the function of Alarm Shutdown is triggered, the motor loses its torque because the value becomes 0. At this moment, if the value is changed to the value other than 0, the motor can be used again.

### Present Position

It is the current position value of Dynamixel.

The range of the value is 0~1023 (0x3FF), and the unit is 0.29 degree.



<The picture above is based on the front of relevant model>

Caution: If it is set to Wheel Mode, the value cannot be used to measure the moving distance and the rotation frequency.

### Present Speed

It is the current moving speed.

0~2047 (0x7FF) can be used.

If a value is in the range of 0~1023, it means that the motor rotates to the CCW direction.

If a value is in the range of 1024~2047, it means that the motor rotates to the CW direction.

That is, the 10th bit becomes the direction bit to control the direction, and 0 and 1024 are equal.

The unit of this value varies depending on operation mode.

- Joint Mode
  - The unit is about 0.111rpm.
  - For example, if it is set to 300, it means that the motor is moving to the CCW direction at a rate of about 33.3rpm.
- Wheel Mode
  - The unit is about 0.1%.
  - For example, if it is set to 512, it means that the torque is controlled by 50% of the maximum torque to the CCW direction.

### Present Load

It means currently applied load.

The range of the value is 0~2047, and the unit is about 0.1%.

If the value is 0~1023, it means the load works to the CCW direction.

If the value is 1024~2047, it means the load works to the CW direction.

That is, the 10th bit becomes the direction bit to control the direction, and 1024 is equal to 0.

For example, the value is 512, it means the load is detected in the direction of CCW about 50% of the maximum torque.

|       |       |                |                   |   |   |   |   |   |   |   |   |   |
|-------|-------|----------------|-------------------|---|---|---|---|---|---|---|---|---|
| BIT   | 15~11 | 10             | 9                 | 8 | 7 | 6 | 5 | 4 | 3 | 2 | 1 | 0 |
| Value | 0     | Load Direction | Data (Load Ratio) |   |   |   |   |   |   |   |   |   |

**Load Direction = 0 : CCW Load, Load Direction = 1: CW Load**

Notes: Current load is inferred from the internal torque value, not from Torque sensor etc.  
For that reason, it cannot be used to measure weight or torque; however, it must be used only to detect which direction the force works.

### Present Voltage

It is the size of the current voltage supplied.

This value is 10 times larger than the actual voltage. For example, when 10V is supplied, the data value is 100 (0x64)

### Present Temperature

It is the internal temperature of Dynamixel in Celsius.

Data value is identical to the actual temperature in Celsius. For example, if the data value is 85 (0x55), the current internal temperature is 85°C.

### Registered Instruction

| Value | Meaning  |
|-------|--|
| 0     | There are no commands transmitted by REG_WRITE |
| 1     | There are commands transmitted by REG_WRITE.   |

Notes: If ACTION command is executed, the value is changed into 0.

### Moving

| Value | Meaning   |
|-------|---|
| 0     | Goal position command execution is completed.   |
| 1     | Goal position command execution is in progress. |

### Lock

| Value | Meaning                         |
|-------|---------------------------------|
| 0     | EEPROM area can be modified.    |
| 1     | EEPROM area cannot be modified. |

Caution: If Lock is set to 1, the power must be turned off and then turned on again to change into 0.

### Punch

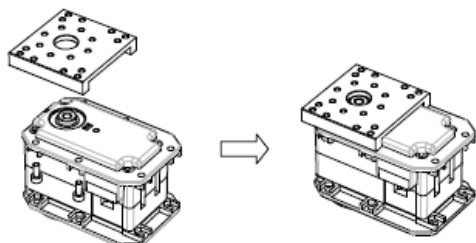
Current to drive motor is at minimum.

Can choose vales from 0x20 to 0x3FF.

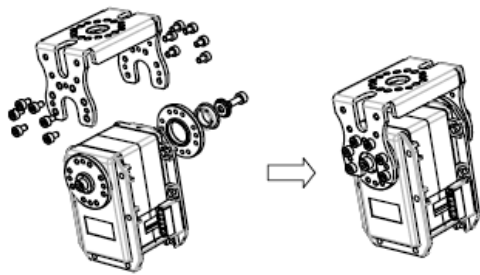
## Option Frame(Old Model)

The types of RX-28 option frames are as follows.

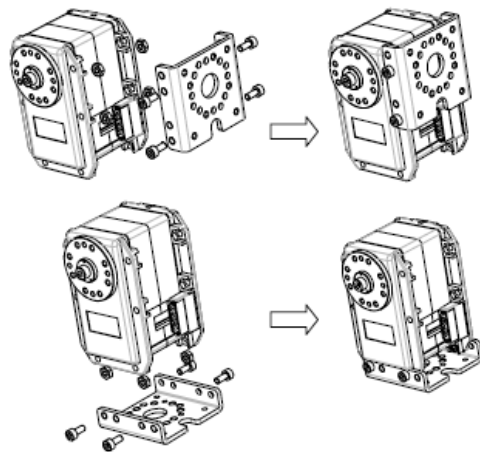
FR07-B1(OF-RX28B)



FR07-H1(OF-RX28H)



FR07-S1(OF-RX28S)



## Horn (Old Model)

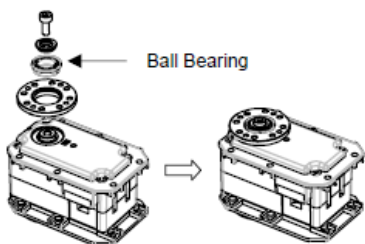
---

The types of RX-28 Horns are as follows.

HN07-N1(Horn RX-28)

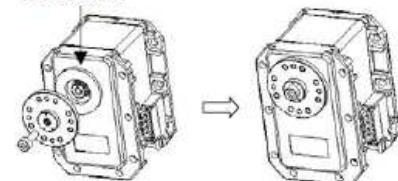


HN07-I1(Bearing Set RX-28H)



HN07-T1(Horn 28T Set)

Trust washer

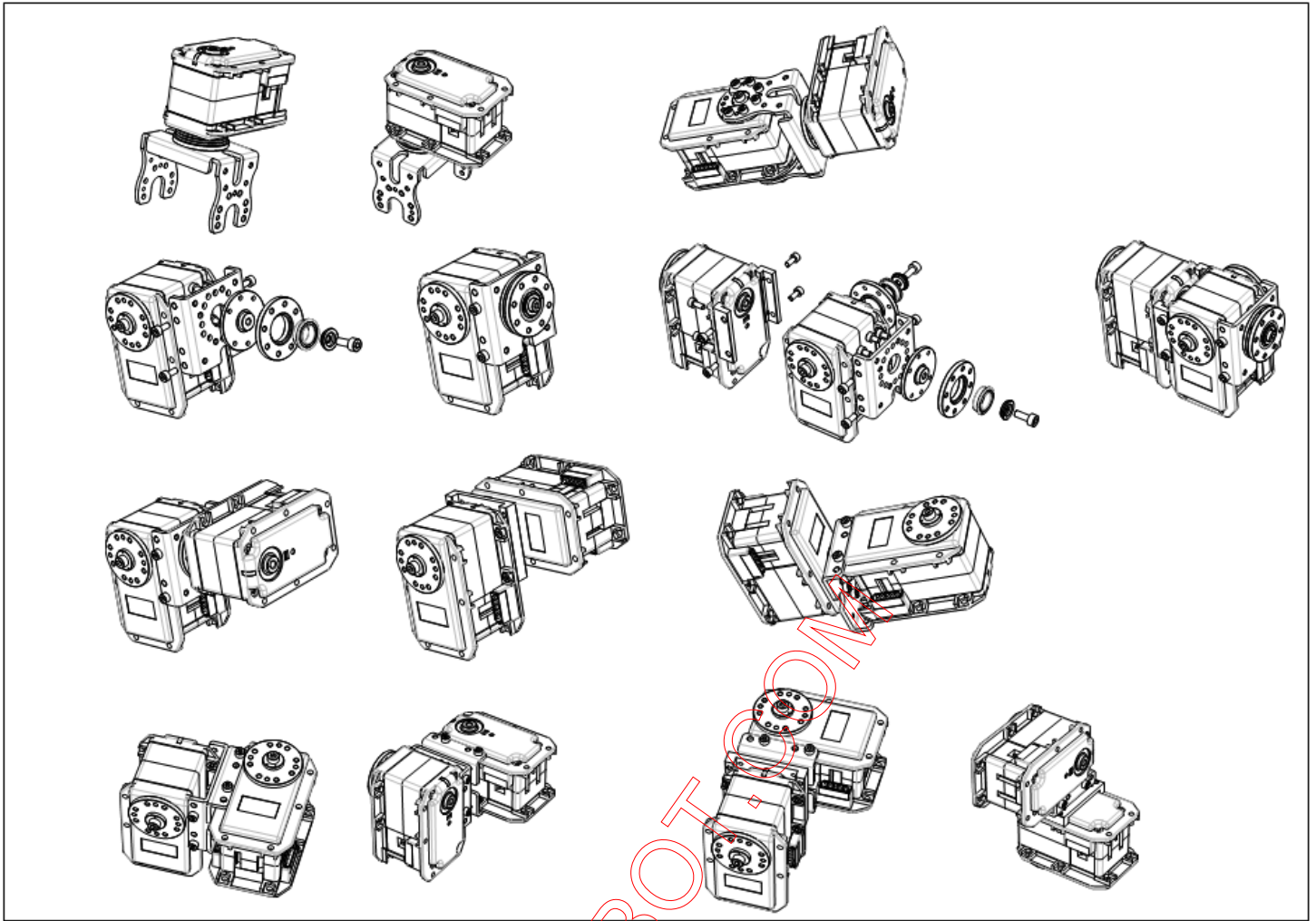


## Combination

---



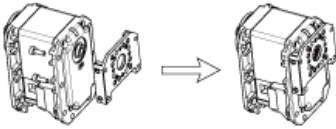
The following example shows the combination structure of option frames and horns.



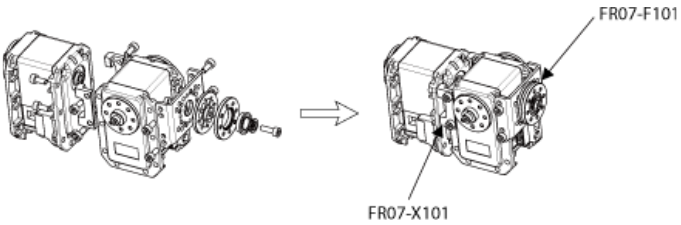
### Option Frame (New Model)

The types of RX-28 option frame are as follows.

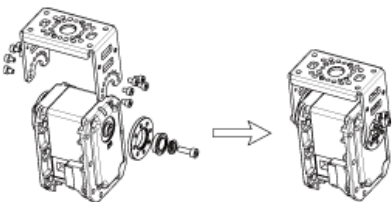
FR07-B101



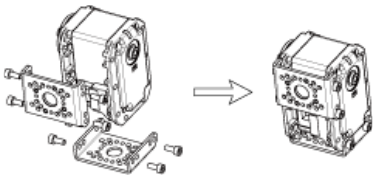
FR07-F101\_FR07-X101



FR07-H101



FR07-S101

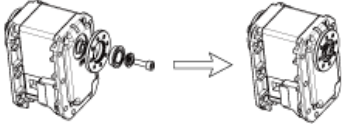


## Horn (New Model)

---

The types of RX-28 Horns are as follows.

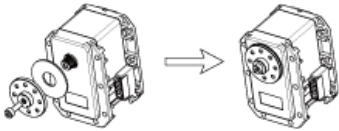
HN07-I101



HN07-N101



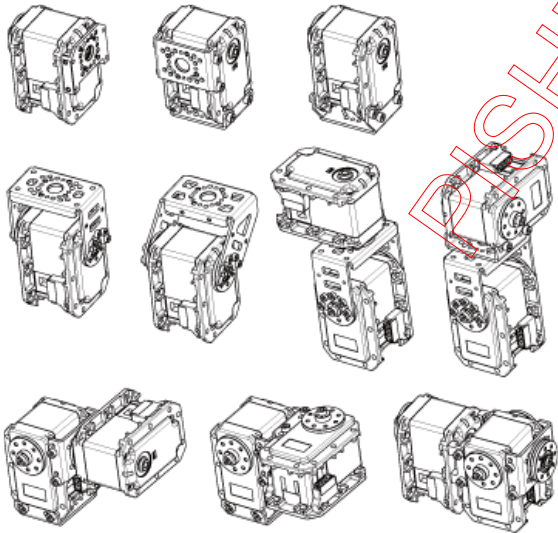
HN07-T101



## Combination (New Model)

---

The following example shows the combination structure of option frames and horns.



## Dimension

---

Drawing Information : [DOWNLOAD](#) RX28Dimension.pdf