



Scanning Laser Range Finder for Robotics "SOKUIKI Sensor"

UBG-04LX-F01



Rapid-URG

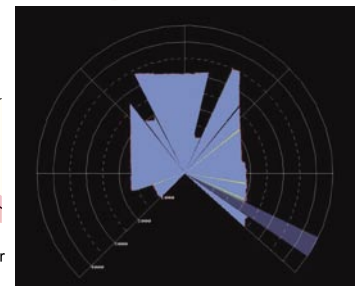
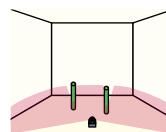
- 28ms per scan -- faster than URG-04LX.
- The most suitable environment detection sensor for intelligent robots.
- Compact Body:
W60 x D75 x H60mm
- Light Weight: 260 g
- Low Power: 4.5 Watts
- Detecting Angle: 240°
- Accuracy: ± 10 mm*
- Resolution: 0.36°

*1% of distance for more than 1m.

URG-04LX

- Low power consumption resulting longer battery life.
- More design freedom with super-compact size.
- The most suitable environment detection sensor for intelligent robots.
- Super-Compact Body
Optical window: $\varnothing 42$ x H26
Product size: 50 x 50 x 70 mm
(W x D x H)
- Super-Light Weight: 160 g
- Low Power: 2.5 Watts
- Detecting Angle: 240°
- Accuracy: ± 10 mm*
- Resolution: 0.36°

*1% of distance for more than 1m.



Detection performance in the indoor environment with the existence of two poles.



Specifications

Product name	Scanning Laser Range Finder "SOKUIKI Sensor"	
Model	UBG-04LX-F01 (Rapid-URG)	URG-04LX
Power source	12V DC $\pm 10\%$	5V DC $\pm 5\%$
Detection Range	20~5,600mm White Square Kent Sheet 80mm 240°	20~5,600mm White Square Kent Sheet 70mm 240°
Accuracy	Nominal Range 60~1,000mm : $\pm 10\text{mm}$, 1,000~4,095mm : 1% of Distance	
Angular resolution	0.36° (360° /1,024 steps)	
Light source	Semiconductor laser diode ($\lambda = 785\text{nm}$), Laser safety Class 1 (FDA)	
Scan time	28msec/scan	100msec/scan
Sound level	Less than 25dB	
Interface	USB2.0 (Full Speed), RS-232C(19.2k, 57.6k, 115.2k, 250k, 500k, 750kbps)	
Synchronous output	NPN open collector	
Command system	Exclusively designed command SCIP Ver.2.0	Exclusively designed command SCIP Ver.1.1/2.0*1
Ambient illuminance *2	Halogen/mercury lamp :10,000Lx or less, Florescent : 6000 Lx (Max)	
Ambient (Temperature/Humidity)	- 10~+50°C, Less than 85%RH (without dew and frost)	
Vibration Resistance	Double amplitude 1.5mm 10 ~ 55Hz, 2 hours each in X, Y and Z direction	
Impact Resistance	196 m/s ² , 10 times each in X, Y and Z direction	
Weight	Approx. 260g (with cable attachment)	Approx.160g

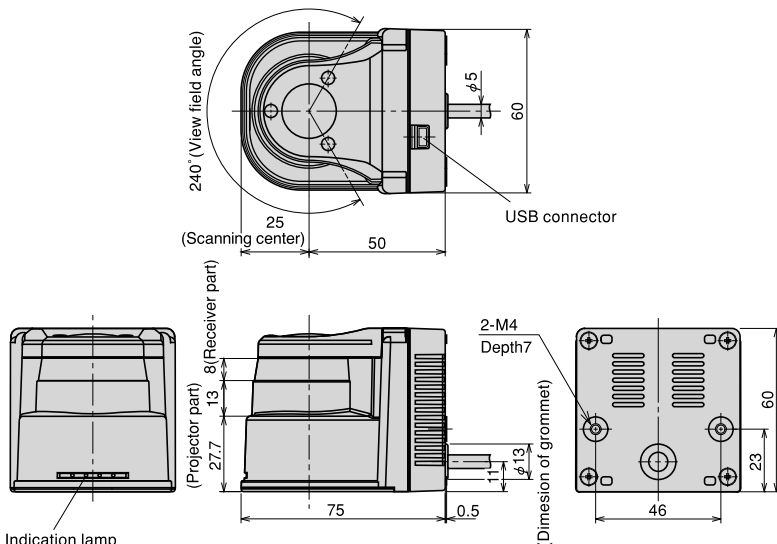
*1. Default setting is Ver.1.1

*2 These products are only for indoor applications. Strong sunlight may cause error output.

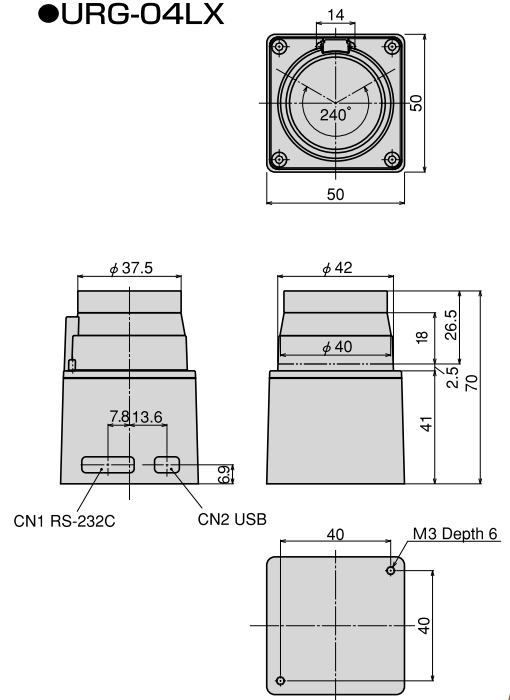


External dimension

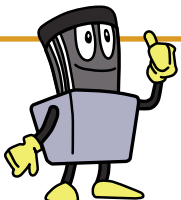
●UBG-04LX-F01



●URG-04LX



★All information in this catalog is subject to change without notice.



HOKUYO AUTOMATIC CO.

1-10-9, NIITAKA, YODOGAWA-KU, OSAKA 532-0033, JAPAN
 TEL:+81-6-6394-2102 FAX:+81-6-6394-2339
 URL :http://www.hokuyo-aut.jp
 Email : info@hokuyo-aut.jp